

# FISHER & PAYKEL

## REFRIGERATOR FREEZER

---

RF522BRPUX7 FP BI

PRODUCT CODE: 25980-A

PARTS MANUAL

BI

# INTRODUCTION

---

BRAND	VOLTAGE	MODEL	PRODUCT CODE
Fisher & Paykel	220-240V 50Hz	RF522BRPUX7 FP BI	25980-A

---

## MODELS

The models covered by this manual are listed on the front cover. The information detailed in this manual is subject to change without notice. The latest version is indicated by the reprint date and replaces any earlier editions.

## KIT PARTS

Where a part number is shown against the descriptions for kit components, they are also available as separate items. In addition, some parts may be supplied with these kits that are not available as separate items, and are therefore either not listed, or a part number is not shown against the part description in this manual.

## PARTS LIST KEY

NI	As a part reference, indicates the part is not illustrated on the diagram.
NOT USED	As a part number, indicates the diagram part reference is not used in this manual.
NS	As a part number, indicates the part is not servicable.

---

# CONTENTS

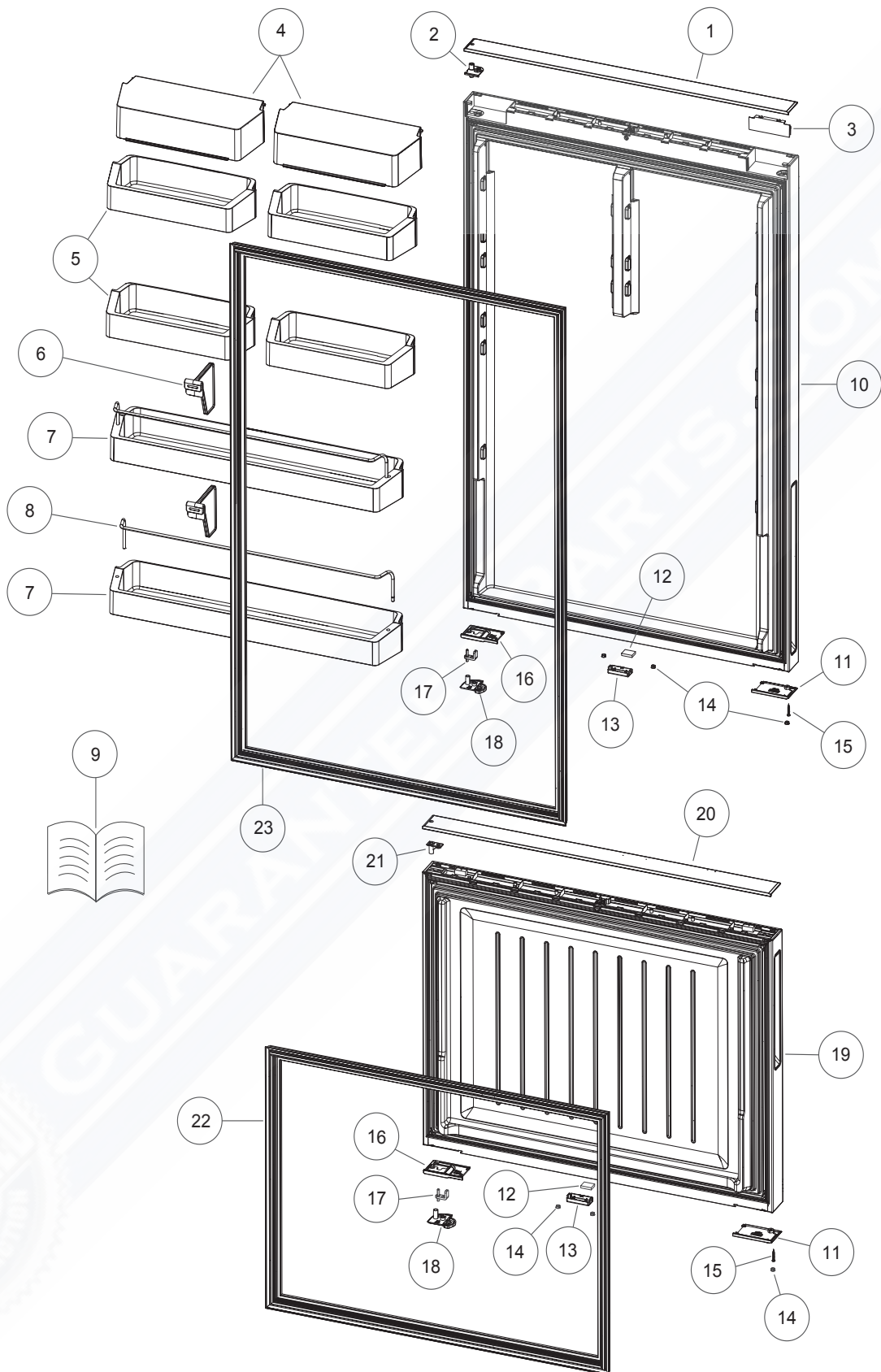
---

INTRODUCTION	1
DOOR COMPONENTS	3
CABINET COMPONENTS	7
FAN, COVER AND EVAPORATOR COMPONENTS	13
DUCT COVER COMPONENTS	15
TERMINAL, PLUGS & SOCKETS	17
COMPRESSOR AREA COMPONENTS	19

GUARANTEEDPARTS.COM



# DOOR COMPONENTS



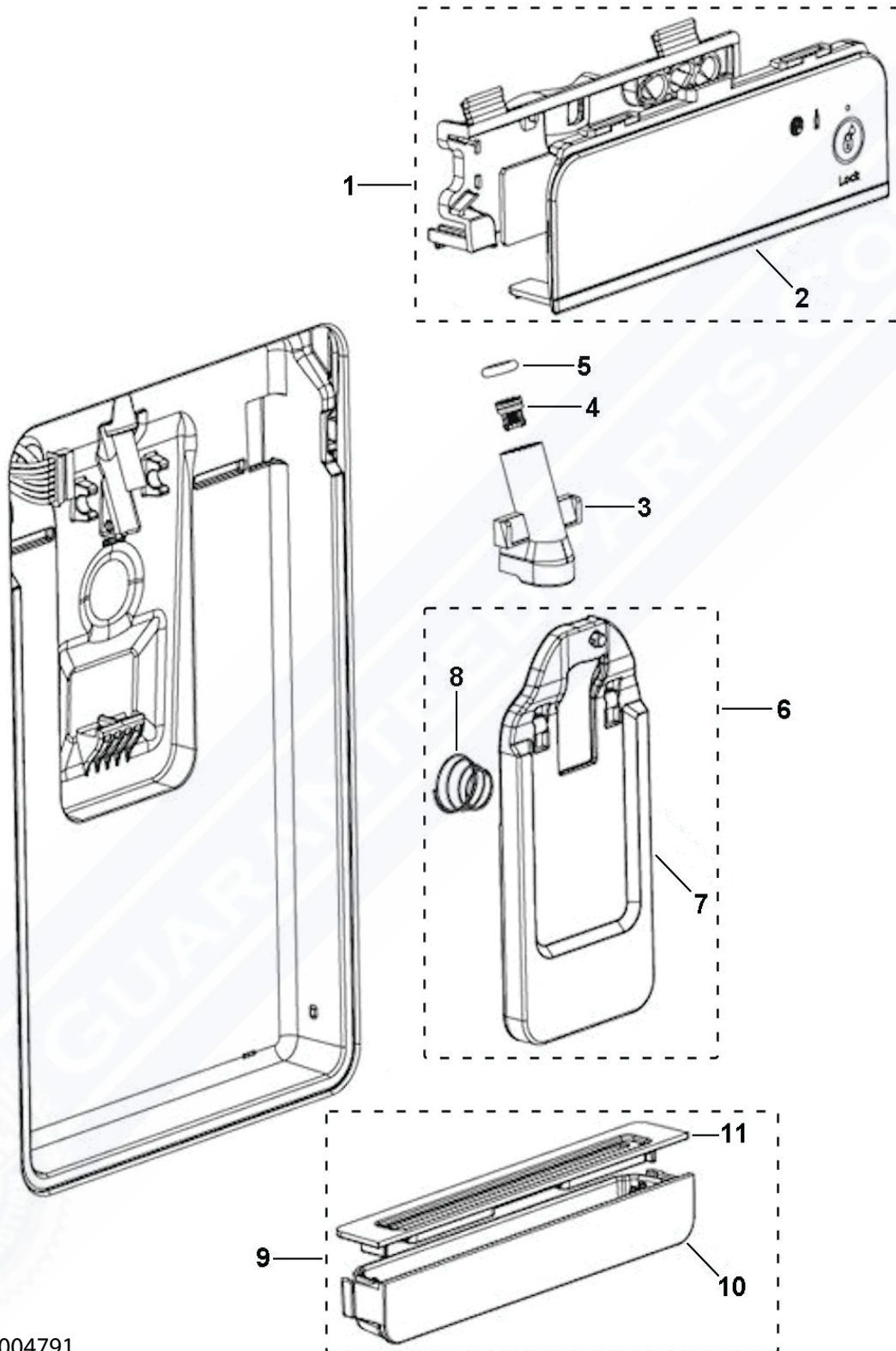
DWG004189

DWG 004189

## DOOR COMPONENTS

REFERENCE	PART NUMBER	PART DESCRIPTION
1	842125	COVER DOOR SF TOP 790B GR
2	839659	BEARING HINGE WATER RH UD
3	842103	COVER DOOR TOP NONHINGE GR
4	821467	COVER SHELF RF522W
5	839723	SHELF DOOR SOLID 790
6	821805	DIVIDER BOTTLE 522B
7	821630	SHELF DR BTM RF522W
8	821465	RAIL SHELF DOOR RF522W
9	844937	BOOK U&C AS B MODELS E-UP U-DO
10	848389P	DOOR PC 790X1052.5 PU SX2 RH
11	842369P	COVER DOOR BOT NONHINGE RH GR
12	883315	MAGNET DOOR SWITCH ST4
13	842122	COVER MAGNET DOOR UD GR
14	842483P	PLUG DOOR BOTTOM GR
15	817825P	SCREW #8X22 WAFER PH ST TV
16	842372	COVER DR BOT UD HINGE RH GR
17	814537	DOOR STOP ASSY
18	843387	CLOSING HOOK DR STOP RH GR NO
19	849042P	DOOR FC 790X605 P SX2 RH
20	842748	COVER DOOR SF TOP 790B GR RH
21	813931	BEARING HINGE TOP GR
22	841373P	GASKET FRAME PUSHIN 790B FC
23	841362P	GASKET FRAME PUSHIN 522B PC

# WATER DISPENSER & DISPLAY COMPONENTS



DWG004791

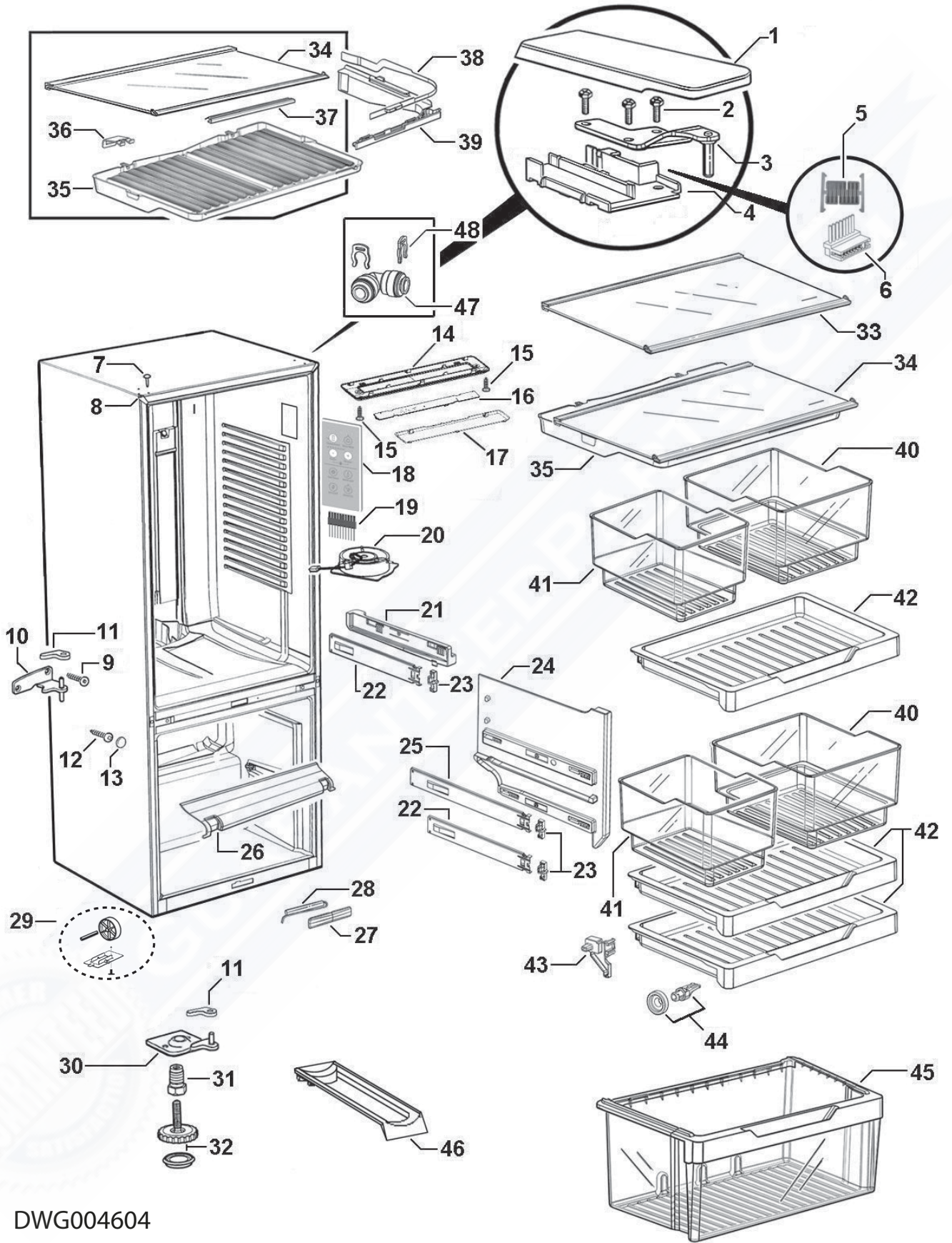
DWG 004791

## WATER DISPENSER & DISPLAY COMPONENTS

REFERENCE	PART NUMBER	PART DESCRIPTION
<b>1</b>	<b>847597P</b>	<b>MOD DIS AS U2 EXT UB</b>
	includes	MOD DIS AS U2 EXT UB
	includes 847298	FASCIA IML WATER DISP UB
<b>2</b>	<b>847298</b>	<b>FASCIA IML WATER DISP UB</b>
<b>3</b>	<b>838115</b>	<b>SPIGOT ASSY WATER DISPENSER</b>
	Includes 837391	CHECK VALVE SPIGOT WATER
	Includes 837390	ORING SPIGOT WATER DISPENSER
<b>4</b>	<b>837391</b>	<b>CHECK VALVE SPIGOT WATER</b>
<b>5</b>	<b>838595</b>	<b>O RING WATER DISP SILICON</b>
<b>6</b>	<b>838114</b>	<b>LEVER ASSY WATER DISPENSER</b>
	Includes 821579	LEVER WATER DISPENSER
	Includes 821883	SPRING LEVER WATER DISPENSER
<b>7</b>	<b>821579</b>	<b>LEVER WATER DISPENSER</b>
<b>8</b>	<b>821883</b>	<b>SPRING LEVER WATER DISPENSER</b>
<b>9</b>	<b>838113</b>	<b>TRAY DRIP ASSY WATER DISPENSER</b>
	Includes 821582	DRIP TRAY CONTAINER
	Includes 821583	DRIP TRAY LID
<b>10</b>	<b>821582</b>	<b>DRIP TRAY CONTAINER</b>
<b>11</b>	<b>838113</b>	<b>DRIP TRAY ASSY WATER DISPENSER</b>



# CABINET COMPONENTS



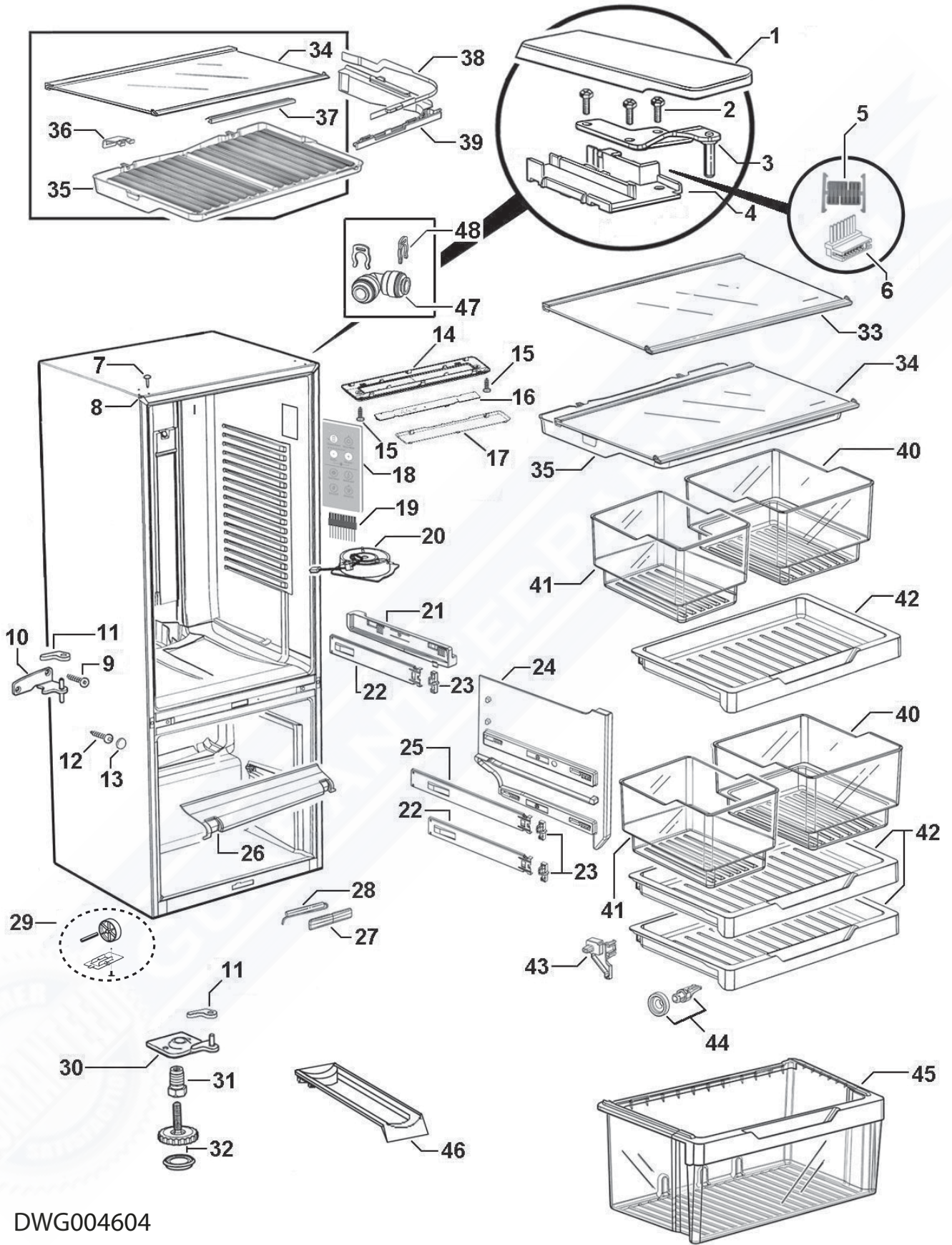
DWG004604



## CABINET COMPONENTS

REFERENCE	PART NUMBER	PART DESCRIPTION
1	841534	COVER HINGE TOP LONG RH
2	817818P	SCREW M5X20 HEX PH ST TV (PKT 10)
3	836834	BRACKET HINGE WATER RH ASSY
4	841536	SUPPORT HINGE TOP LONG RH
5	821917	CONNECTOR PCB RAST 8 WAY
6	873279	CONNECTOR RAST 7234-008-500
7	883948P	PLUG TAPPED HOLE SILVER (PKT 3)
8	883951	TRIM CORNER SILVER 680/790
9	880656P	SCREW 10GX25CSK SQ SS (PKT 10)
10	881283P	BRACKET CENTRE HINGE RH PKD
	Includes 883988P	CAP DOOR CLOSING RH HGE BRKT
11	883988P	CAP DOOR CLOSING RH HGE BRKT
12	817822P	SCREW #10X19 AB #2 SQ TV (PKT 10)
13	883953P	CAP SCREW CROSS RAIL SILVER
	880595P	CAP SCREW CROSS RAIL WHT PKD
14	820736	HOUSING FRONT LED PC
15	817816P	SCREW 6 X12 AB TRUSS PH ST TV (PKT 10)
16	845096P	MOD LAMP AS CEILING SVC
17	820737	WINDOW LED PC
18	821286P	MOD DISP AS U2 INT 8 BUT SVC
19	838437P	HARNESS DISPLAY SPARES
20	848320P	PC 3W FAN ASSY JST/DCT
	Includes	FAN HOUSING PC ASSY
	Includes	DUCT JUNCTION
	Includes	CONNECTOR IDC UP2 (2)
	Includes	LABEL WARNING 12 VOLT DC
	Includes	SHEET INSTRUCTION PC FAN ASSY
21	836810	RETAINER SLIDE PC 790 RH ASSY RC
	Includes	RETAINER SLIDE PC 790 RH
	Includes 836700	SLIDE 305 RH ASSEMBLY
	Includes 836520P	CLIP SLIDE

# CABINET COMPONENTS



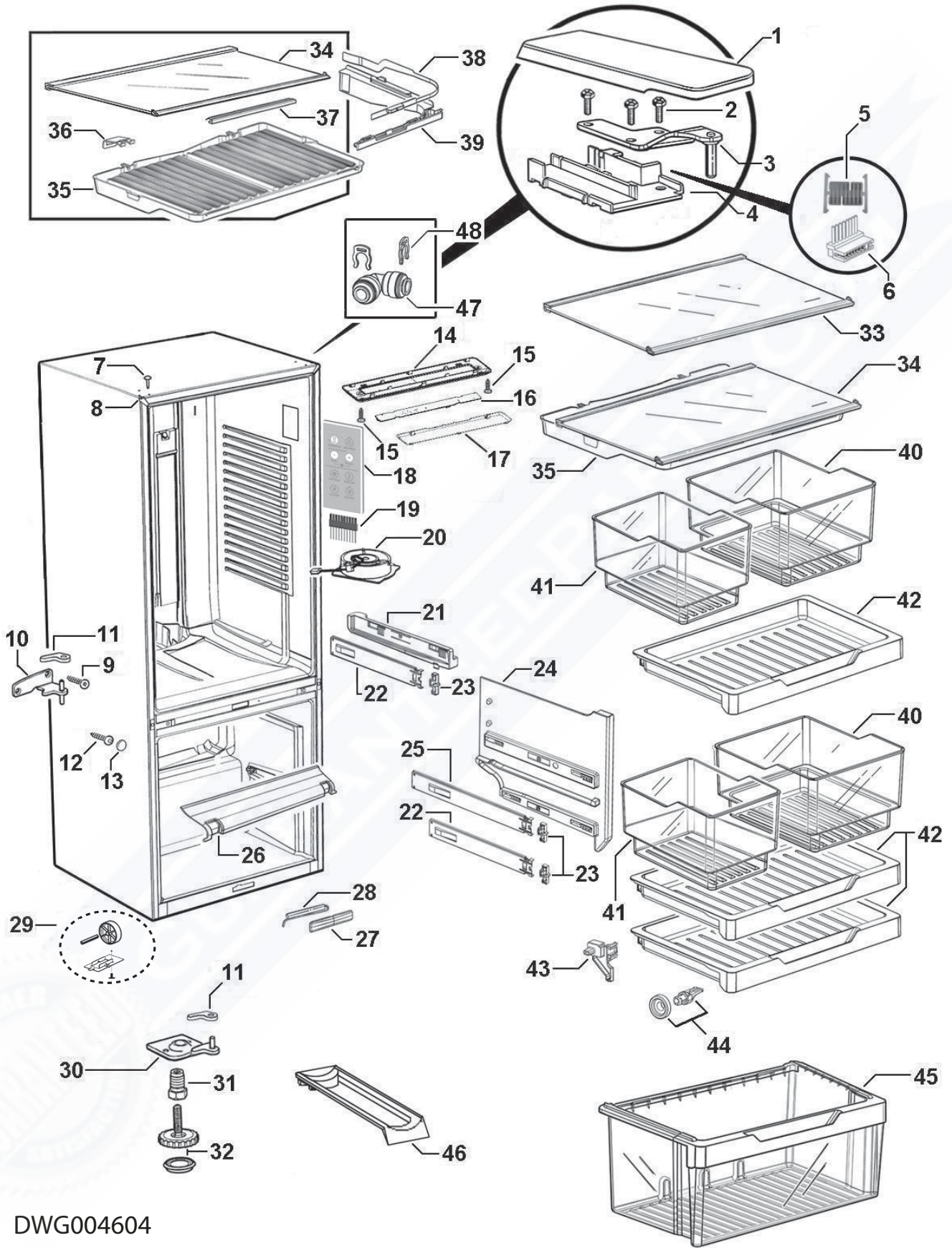
DWG004604

## CABINET COMPONENTS

REFERENCE	PART NUMBER	PART DESCRIPTION
<b>21</b>	<b>836809</b>	<b>RETAINER SLIDE PC 790 LH ASSY RC</b>
	Includes	RETAINER SLIDE PC 790 LH
	Includes 836701	SLIDE 305 LH ASSEMBLY
	Includes 836520P	CLIP SLIDE
<b>22</b>	<b>836700</b>	<b>SLIDE 305 RH ASSEMBLY RC</b>
	Includes 836520P	CLIP SLIDE
	<b>836701</b>	<b>SLIDE 305 LH ASSEMBLY RC</b>
	Includes 836520P	CLIP SLIDE
<b>23</b>	<b>836520P</b>	<b>CLIP SLIDE (PKT 2)</b>
<b>24</b>	<b>836545</b>	<b>RETAINER SLIDE FC RH</b>
	<b>836546</b>	<b>RETAINER SLIDE FC LH</b>
<b>25</b>	<b>836702</b>	<b>SLIDE 355 RH ASSEMBLY RC</b>
	Includes 836520P	CLIP SLIDE
	<b>836703</b>	<b>SLIDE 355 LH ASSEMBLY RC</b>
	Includes 836520P	CLIP SLIDE
<b>26</b>	<b>836595</b>	<b>DUCT RETURN AIR FC 790</b>
<b>27</b>	<b>884011</b>	<b>COVER REED SWITCH ST4 SILVER</b>
	<b>881420</b>	<b>COVER REED SWITCH ST4 WHITE</b>
<b>28</b>	<b>814443P</b>	<b>SWITCH REED FIELD FIX KIT ST4</b>
	Includes	HEATSHRINK 1/8" MW ADHESIVE LINED
<b>29</b>	<b>847316P</b>	<b>RETAINER WHEEL STEEL KIT</b>
	Includes	RETAINER WHEEL STEEL
	Includes	SCREW 8-32X8 TY T PAN PH TV
	Includes	ROLLER FOOT FRONT
	Includes	PIN ROLLER PLATED
<b>30</b>	<b>818614P</b>	<b>BRACKET HINGE BASE RH PKD</b>
	Includes 883988P	CAP DOOR CLOSING RH HGE BRKT
<b>31</b>	<b>813481</b>	<b>BOLT BLIND END HINGE BRACKET</b>
<b>32</b>	<b>818535</b>	<b>FOOT LEVELLING ASSEMBLY RC</b>
	Includes	WHEEL LEVELLING FOOT ASSY
	Includes	BASE LEVELLING FOOT



# CABINET COMPONENTS



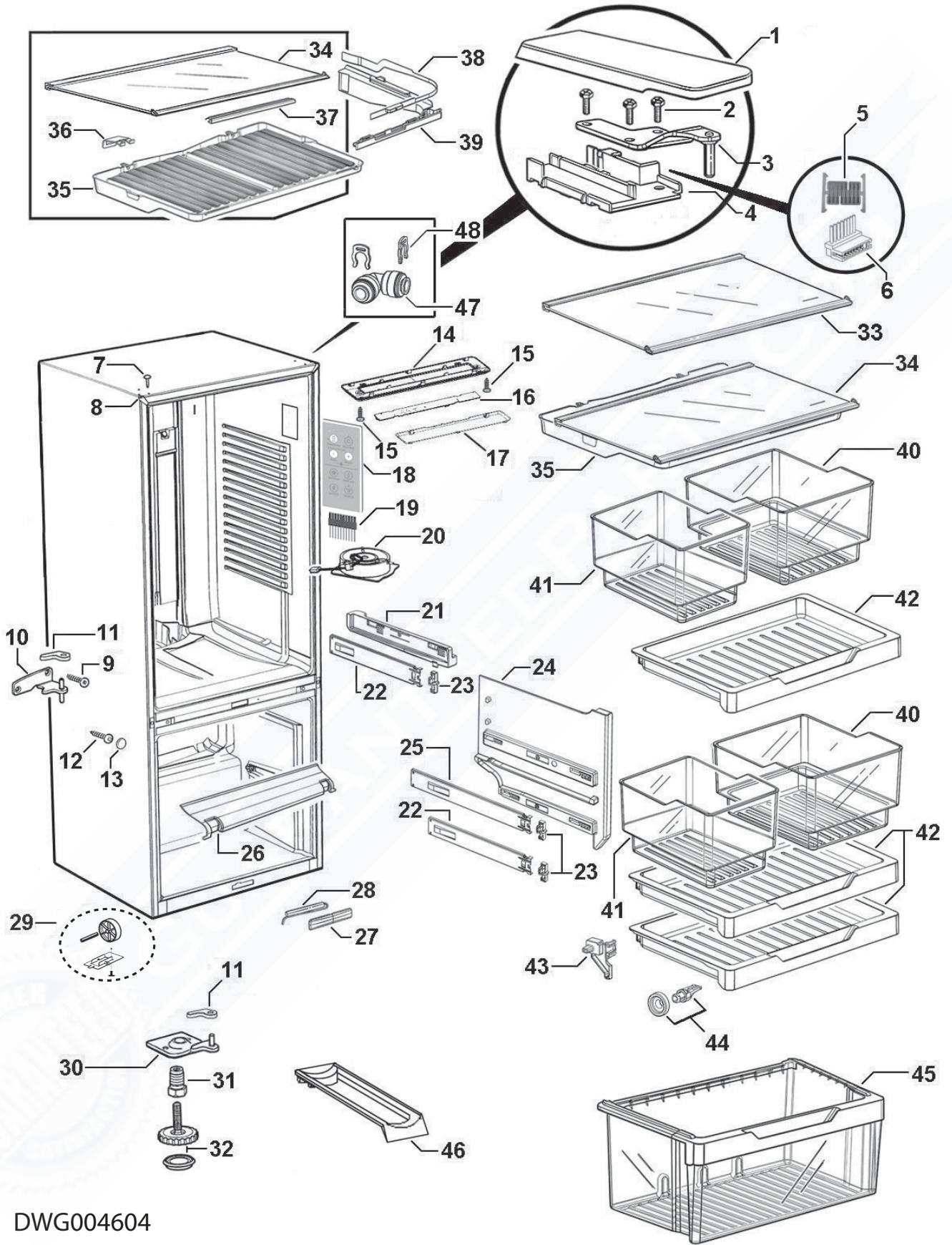
DWG004604

## CABINET COMPONENTS

REFERENCE	PART NUMBER	PART DESCRIPTION
<b>33</b>	<b>836751P</b>	SHELF GLASS PC 790 ASSY SC
	Includes	SHELF GLASS PC 790
	Includes	TRIM SHELF PC 790 SC
	Includes	STIFFENER SHELF PC 790 SC
	Includes 836569	PLUG STIFFENER SHELF RH
	Includes 836570	PLUG STIFFENER SHELF LH
	Includes 836567	PLUG TRIM SHELF RH
	Includes 836568	PLUG TRIM SHELF LH
<b>34</b>	<b>836728P</b>	SHELF GLASS HCL 790B ASSY SC
	Includes	SHELF GLASS PC 790
	Includes	TRIM SHELF HCL 790 SC
	Includes	STIFFENER SHELF PC 790 SC
	Includes 836567	PLUG TRIM SHELF RH
	Includes 836568	PLUG TRIM SHELF LH
	Includes 836569	PLUG STIFFENER SHELF RH
	Includes 836570	PLUG STIFFENER SHELF LH
	Includes 819179	RETAINER HCL FRONT 790
	Includes 881268	BRACKET HCL SUPPORT B GL SH (2)
	Includes 836574	LID HUMIDITY CONTROL 790B
	Includes 836631	SLIDE CONTROL HUMIDITY RH
	Includes 836633	SLIDE CONTROL HUMIDITY LH
	Includes 836632	GUIDE CONTROL HUMIDITY RH
	Includes 836634	GUIDE CONTROL HUMIDITY LH
<b>35</b>	<b>836574</b>	LID HUMIDITY CONTROL 790B
<b>36</b>	<b>881268</b>	BRACKET HCL SUPPORT B GL SH
<b>37</b>	<b>836582</b>	RETAINER HCL FRONT 790
<b>38</b>	<b>836631</b>	SLIDE CONTROL HUMIDITY RH
	<b>836633</b>	SLIDE CONTROL HUMIDITY LH
<b>39</b>	<b>836632</b>	GUIDE CONTROL HUMIDITY RH
	<b>836634</b>	GUIDE CONTROL HUMIDITY LH



# CABINET COMPONENTS



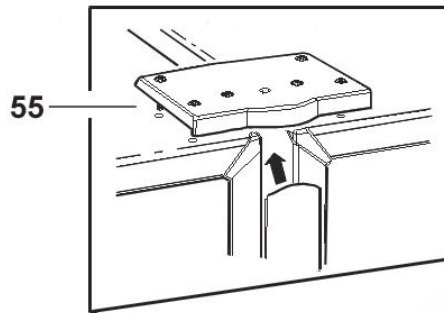
DWG004604

## CABINET COMPONENTS

REFERENCE	PART NUMBER	PART DESCRIPTION
40	836524	BIN SMALL 790
41	836522	BIN SMALL
42	821142	TRAY 790
43	836585	SKID TRAY RH
	836586	SKID TRAY LH
44	836517	WHEEL & CHASSIS ASSEMBLY (PKT 2)
45	836661	BIN ASSEMBLY LARGE 790
	Includes	HANDLE BIN LARGE
46	860593	HOLDER BOTTLE SINGLE
47	837192	CONNECTOR WATER ELBOW C10308W
48	837193P	COLLET LOCKING CLIP PIC1808R (PKT 2)

# CABINET ACCESSORIES

---



DWG001132 - MARCH 2010

## CABINET ACCESSORIES

---

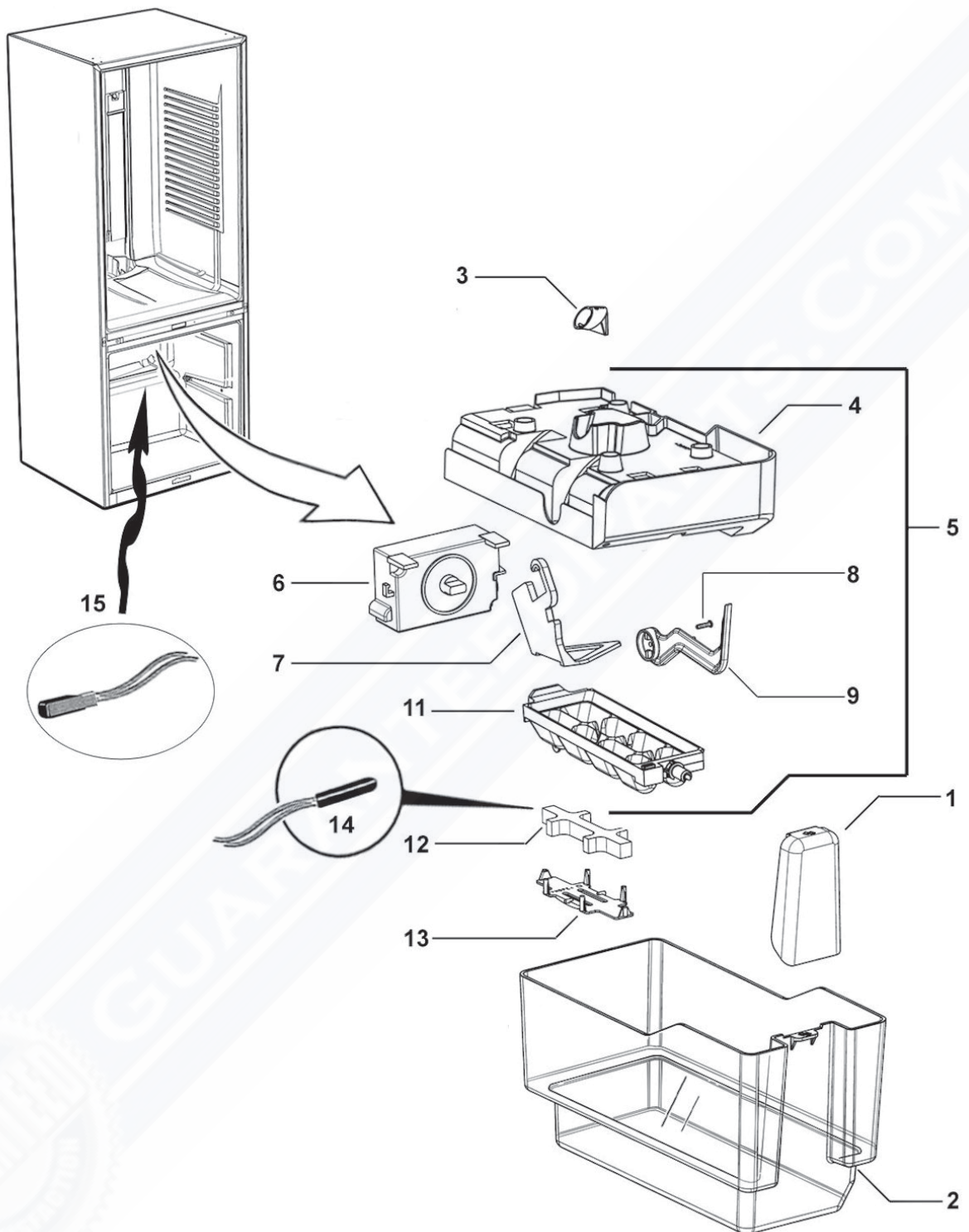
REFERENCE	PART NUMBER	PART DESCRIPTION
55	819264	KIT JOINER SILVER
56	818758	KIT SURROUND STAINLESS 790 LH

GUARANTEEDPARTS.COM





# ICEMAKER & ICE BIN COMPONENTS



DWG002685 JULY 2012

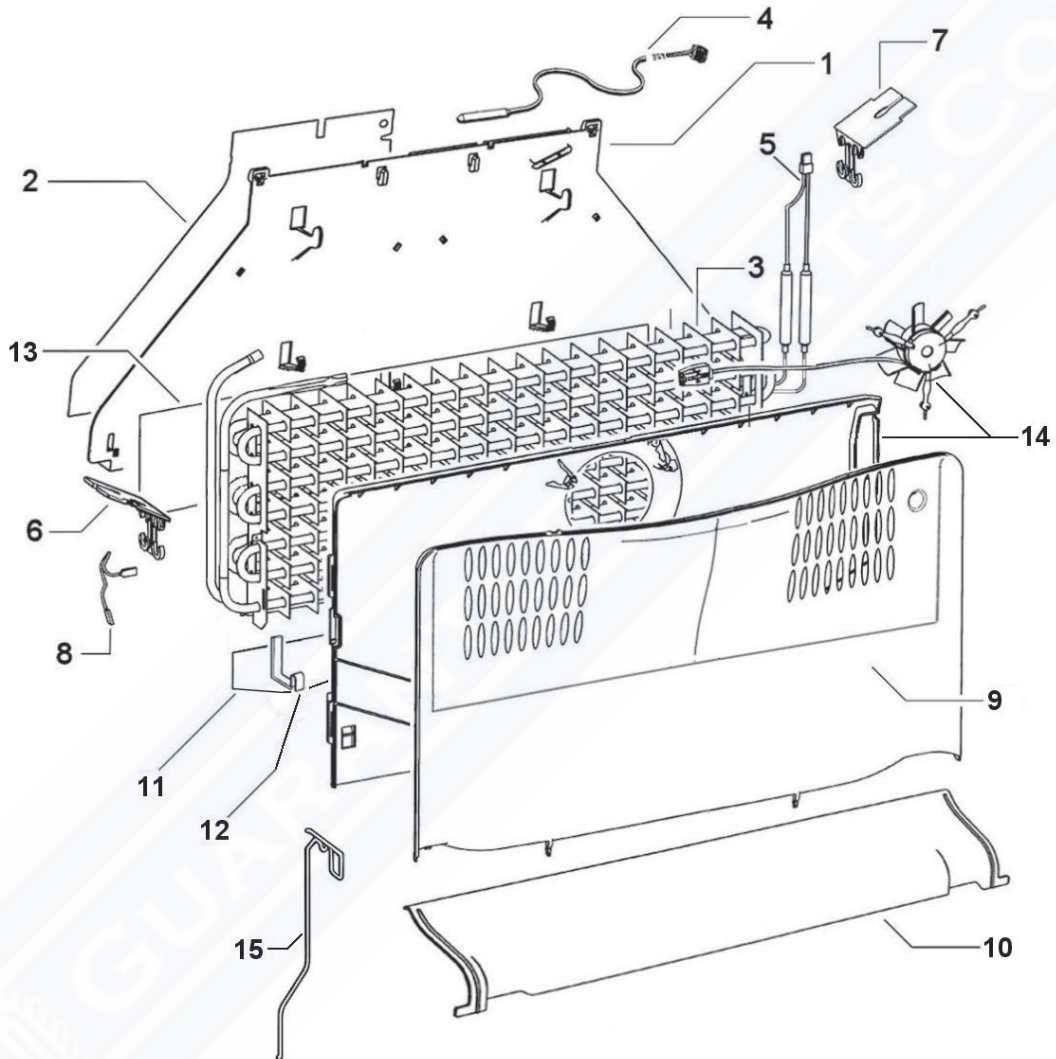
DWG 002685



## ICEMAKER & ICE BIN COMPONENTS

REFERENCE	PART NUMBER	PART DESCRIPTION
<b>1</b>	<b>836929</b>	SCOOP ICE
<b>2</b>	<b>836886</b>	BIN AND SCOOP ASSEMBLY
	Includes 836928	BIN ICE
	Includes 836929	SCOOP
<b>3</b>	<b>836936</b>	SPIGOT FILL ICE MAKER
<b>4</b>	<b>836915</b>	HOUSING ICE MAKER
<b>5</b>	<b>820833P</b>	ICEMAKER ASSEMBLY LARGE
	Includes 820841	TRAY ICE AUTO LARGE
	Includes 836910	LEVER GEAR BOX ICE
	Includes 836915	HOUSING ICE MAKER
	Includes 836934	GEARBOX ICE MAKER
	Includes 836948	SCREW 6X1/2 PAN PH SS
<b>6</b>	<b>836934</b>	GEARBOX ICE MAKER
<b>7</b>	<b>836912</b>	LEVER BIN DETECT
<b>8</b>	<b>836948P</b>	SCREW 6X1/2 PAN PH SS (PKT 10)
<b>9</b>	<b>836910</b>	LEVER GEAR BOX ICE
<b>11</b>	<b>820841</b>	TRAY ICE AUTO LARGE
<b>12</b>	<b>836909</b>	FOAM CLIP SENSOR
<b>13</b>	<b>837180</b>	CLIP SENSOR ICE TRAY
<b>14</b>	<b>321107</b>	ICE MAKER SENSOR LEAD WIRE KIT
	Includes	SENSOR THERMISTOR ICE MAKER
	Includes	CONNECTOR IDC UY2 - 3MS
	Includes	INSTRUCTIONS ICE SENSOR KIT
<b>15</b>	<b>821689P</b>	ICE FILL TUBE HEATER KIT MK2

# EVAPORATOR AREA COMPONENTS

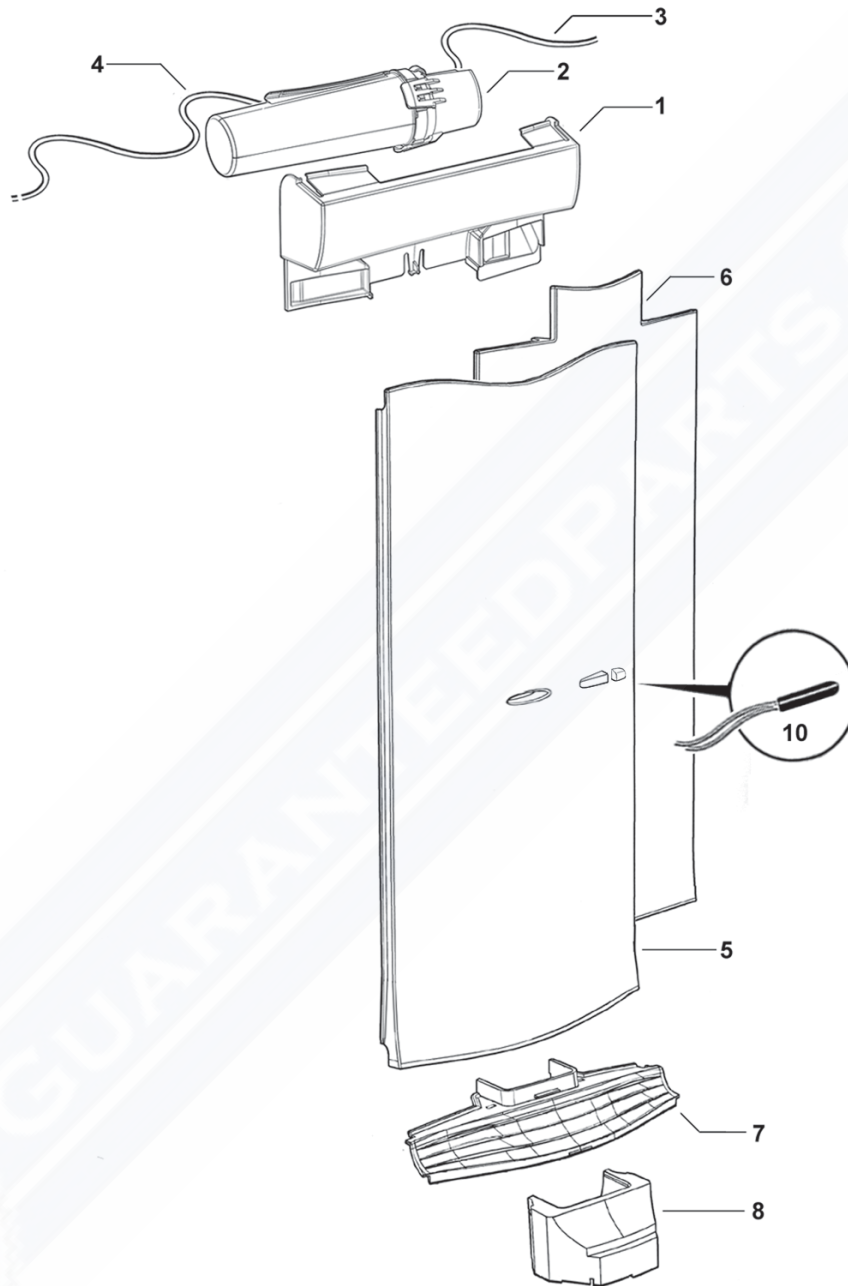


DWG002714 APRIL 2012

## EVAPORATOR AREA COMPONENTS

REFERENCE	PART NUMBER	PART DESCRIPTION
<b>1</b>	<b>814475</b>	<b>CHASSIS EVAP 790B</b>
<b>2</b>	<b>884315</b>	<b>DEFLECTOR HEAT 790B</b>
<b>3</b>	<b>837336P</b>	<b>EVAP ASSY 790B 230V DP</b>
	Includes	EVAPORATOR FINNED 790 R600A
	Includes 814475	CHASSIS EVAP 790B
	Includes 814713	SHIELD EVAP CHASSIS 790B
	Includes 884315	DEFLECTOR HEAT 790B
	Includes 821877	HEATER DEFROST DBLE 230V 790
	Includes 820604	CLIP EVAP BAFFLE
	Includes 813992	CLIP ACTIVE SMART BAFFLE
	Includes 820835	CLIP DEFROST HEATER B SHORT (2)
	Includes 814460	HARNESS EARTH 100MM
	Includes 821255	CABLE TIE 200MMX3.6
<b>4</b>	<b>855203P</b>	<b>SENSOR KIT ASSY ACTV SM</b>
	Includes	HEATSHRINK 25MM
	Includes	HARNESS SENSOR PC
	Includes	CONNECTOR BUTT (2)
	Includes	SHEET INSTRUCTN BUTT CONNECTORS
<b>5</b>	<b>821877</b>	<b>HEATER DEFROST DBLE 230V 790</b>
<b>NI</b>	<b>821745</b>	<b>COVER PLUG TYCO</b>
<b>6</b>	<b>813992</b>	<b>CLIP ACTIVE SMART BAFFLE</b>
<b>7</b>	<b>820604</b>	<b>CLIP EVAP BAFFLE</b>
<b>8</b>	<b>814460</b>	<b>HARNESS EARTH 100MM</b>
<b>9</b>	<b>873395</b>	<b>COVER FAN FC FRONT E790B</b>
<b>10</b>	<b>836595</b>	<b>DUCT RETURN AIR FC 790</b>
<b>11</b>	<b>883783</b>	<b>SHIELD FC REAR COVER 790</b>
<b>12</b>	<b>820835</b>	<b>CLIP DEFOST HEATER B SHORT</b>
<b>13</b>	<b>814713</b>	<b>SHIELD EVAP CHASSIS</b>
<b>14</b>	<b>848316P</b>	<b>FAN FC 3W KIT 790 SERIES A TO</b>
	Includes 880279	SHIELD HEATER FC COVER 790
	Includes	COVER FAN FC REAR 790
	Includes	CONNECTOR IDC UP2 (2)
	Includes	LABEL WARNING 12 VOLT DC
	Includes	FAN DC SUSPENDED FC ASSY
<b>15</b>	<b>821251</b>	<b>WIRE DRAIN HEATER DOUBLE B</b>

# WATER TANK & DUCT COVER COMPONENTS



DWG002721 APRIL 2012

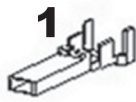
DWG 002721

## WATER TANK & DUCT COVER COMPONENTS

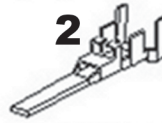
REFERENCE	PART NUMBER	PART DESCRIPTION
<b>1</b>	<b>836849</b>	<b>COVER DUCT TOP WATER</b>
	Includes	TAPE FOAM 440X6X3 S/CELL P3
<b>2</b>	<b>836846</b>	<b>TANK DISPENSER ASSEMBLY</b>
	Includes	CAP TANK DISPENSER
	Includes	BASE TANK DISPENSER
	Includes	BAFFLE TANK DISPENSER
<b>3</b>	<b>836857</b>	<b>TUBE FILTER WATER 1/4" 4 MTR</b>
<b>4</b>	<b>837162</b>	<b>TUBE WATER TANK INLET</b>
<b>5</b>	<b>836861</b>	<b>COVER DUCT PC LONG WATER</b>
<b>6</b>	<b>873950</b>	<b>INSULATION COVER DUCT LG B</b>
<b>7</b>	<b>813287</b>	<b>GRILLE PC RETURN AIR B MODEL</b>
<b>8</b>	<b>872823</b>	<b>INSULATION INSERT PID</b>
<b>10</b>	<b>855203P</b>	<b>SENSOR KIT ASSY ACTIVE SMART</b>
	Includes	HEATSHRINK 25MM
	Includes	HARNESS SENSOR PC
	Includes	CONNECTOR BUTT (2)
	Includes	SHEET INSTRUCTN BUTT CONNECTORS



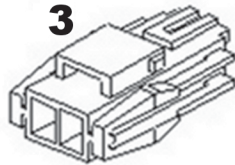
# TERMINAL, PLUGS & SOCKETS



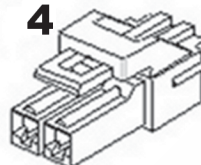
**1**  
JST SOCKET TERMINAL



**2**  
JST PIN TERMINAL



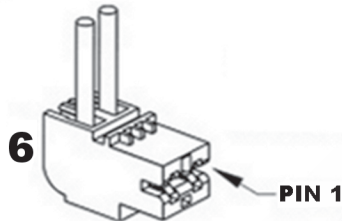
**3**  
JST SOCKET



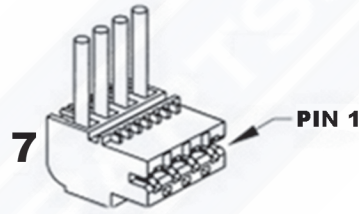
**4**  
JST PLUG



**5**  
JST RETAINER



**6**  
RAST CONNECTOR



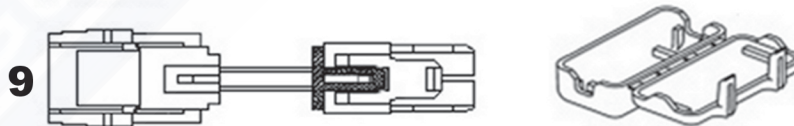
**7**  
RAST CONNECTOR

**NOTE THAT IN THE PART NAMES OF THESE CONNECTORS, THE -02- REFERS TO IT BEING A 2 WAY CONNECTOR, AND THE -AB01-(FOR EXAMPLE) REFERS TO THE CODING OF THE CONNECTOR.**

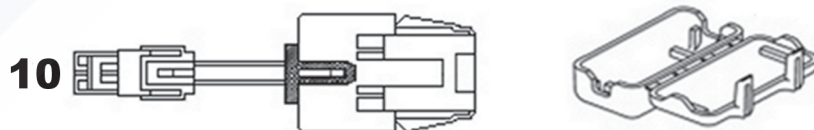


**8**  
RAST CONNECTOR

**NOTE: TO MINIMISE THE NUMBER OF SPARE PARTS THAT NEED TO BE CARRIED, THESE CODED CONNECTORS ARE TO BE REPLACED WITH THEIR UNCODED EQUIVALENTS FOR THE 3, 5 AND 6 WAY CONNECTORS USED ON STAGE 4 CABINETS.**



**9**  
HARNESS ADAPTOR - JST REC TO MOLEX PLUG



**10**  
HARNESS ADAPTOR - JST PLUG TO MOLEX REC

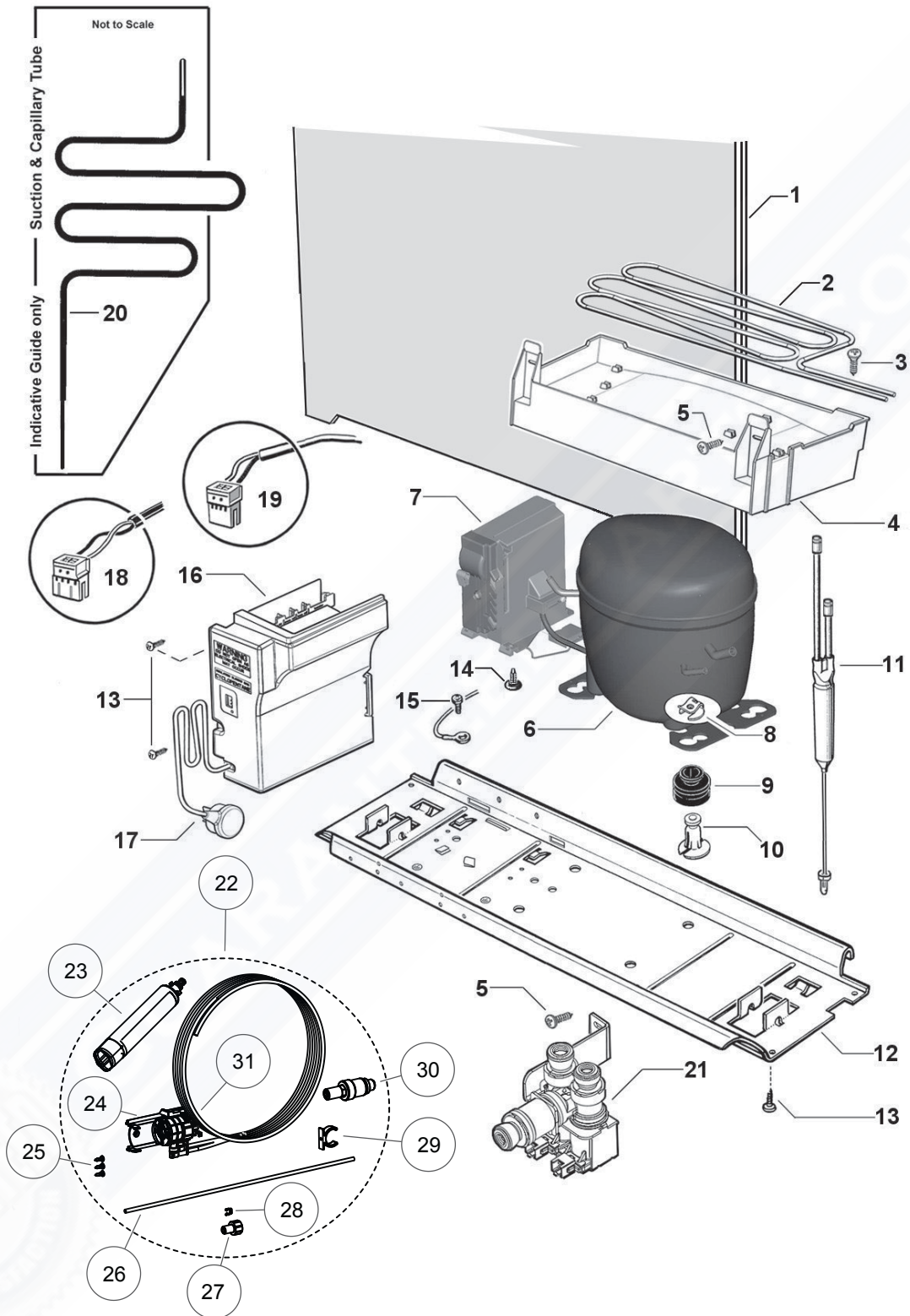
DWG002630 FEBRUARY 2012

## TERMINAL, PLUGS & SOCKETS

REFERENCE	PART NUMBER	PART DESCRIPTION	COMMENTS
1	819607P	TERMINAL SYF-01T PKT 10	26/20 AWG
	819608P	TERMINAL SYF-41T PKT 10	20/16 AWG
2	819609P	PIN/TERM SYM-01T PKT 10	26/20 AWG
	819610P	PIN/TERM SYM-41T PKT 10	20/16 AWG
3	819615	JST SOCKET 2PIN YLR-02V	
	819616	JST SOCKET 3PIN YLR-03V	
	819617	JST SOCKET 4PIN YLR-04V	
	819618	JST SOCKET 6PIN YLR-06VF	
	819619	JST SOCKET 8 PIN YLR-08V	
4	819611	JST PLUG 2PIN YLP-02V	
	819612	JST PLUG 4PIN YLP-04V	
	819613	JST PLUG 6PIN YLP-06V	
	819614	JST PLUG 8PIN YLP-08V	
5	819620	RETAINER 2 WAY YLS-02V	
	819621	RETAINER 3 WAY YLS-03V	
6	881588	CONNECTOR RAST 9290-02-AB01	MAINS CORD
	881589	CONNECTOR RAST 9290-02-BA01	DEFROST HEATER
	881590	CONNECTOR RAST 9290-02-EE01	RUN CAPACITOR
7	881591	CONNECTOR RAST 9290-04-EF02	COMPRESSOR CABLE
8	873251	CONNECTOR RAST 7234-003-500	
	873250	CONNECTOR RAST 7234-004-500	
	881135	CONNECTOR RAST 7234-005-500	
	873247	CONNECTOR RAST 7234-006-500	
	873279	CONNECTOR RAST 7234-008-500	
	873248	CONNECTOR RAST 7234-010-500	
	873243	CONNECTOR RAST 7234-012-500	
	881136	CONNECTOR RAST 7234-014-500	
9	820687P	ADAPTOR JST REC TO MOLEX KIT	
	Includes 884412	COVER PLUG MOLEX	
10	820688P	ADAPTOR JST PLUG TO MOLEX KIT	
	Includes 884412	COVER PLUG MOLEX	

**NOTE:** THE NUMBERS IN THE DESCRIPTION OF THE RAST CONNECTOR DENOTES THE NUMBER OF CONNECTIONS - EXAMPLE: 7234-017-502 =17 WAY CONNECTOR

# COMPRESSOR AREA COMPONENTS



DWG004820

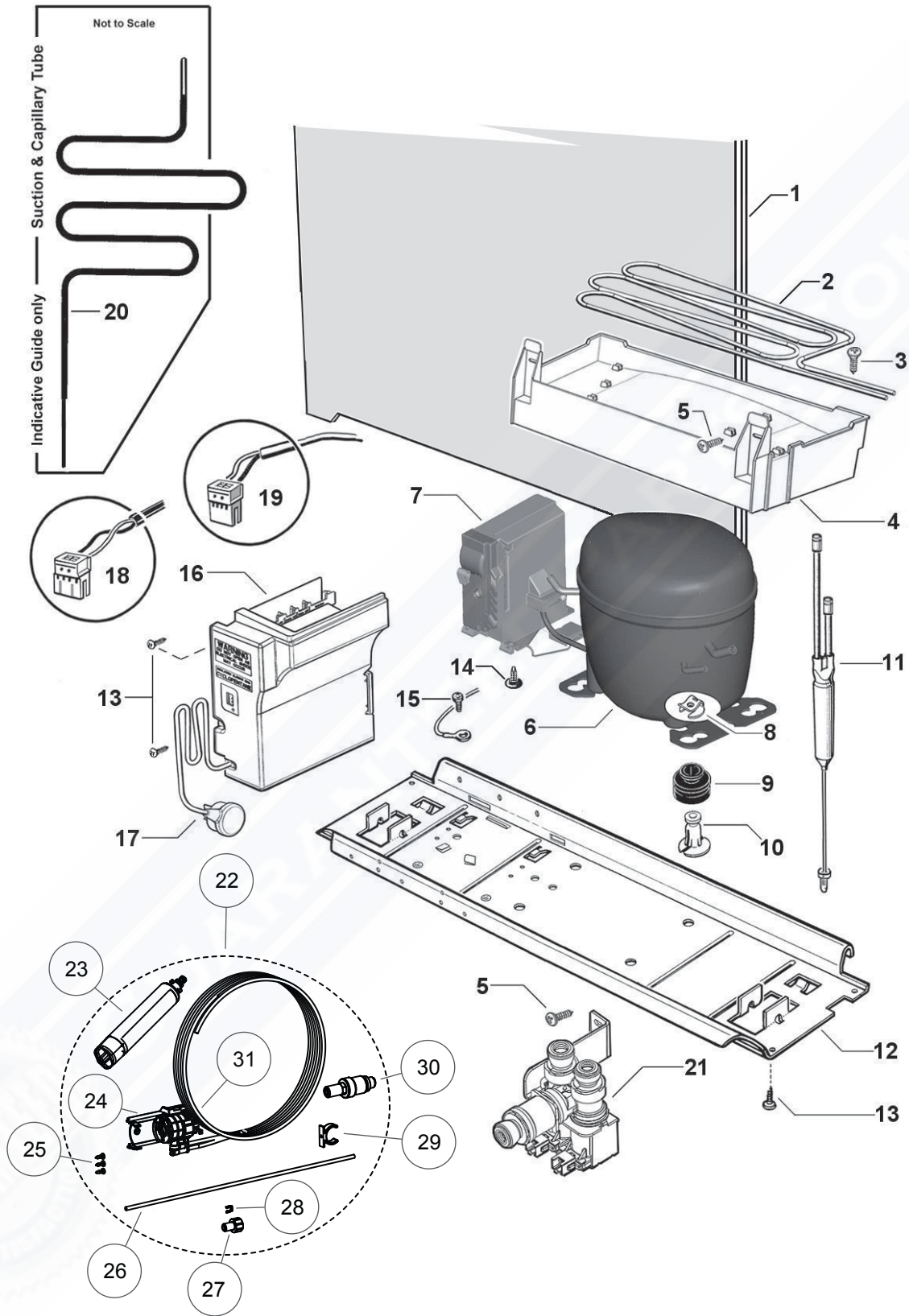
DWG 004820

## COMPRESSOR AREA COMPONENTS

REFERENCE	PART NUMBER	PART DESCRIPTION
1	882137P	PANEL BACK ASSY 1390X780
2	819598	TUBE EVAP TRAY FORMED H/SHRINK
3	815236P	SCREW #12X1/2 CSK PH TV (PKT 10)
4	820734	TRAY EVAP AS
5	817817P	SCREW #8X12 SP PAN NIB ST TV (PKT 10)
6	207426P	COMPR PKD JIAX VNFB16Y 230V
	includes	COMPR JIAX VNFB16Y
	includes	COVER PROTECTOR JIAX VCC
	includes 814843	FILTER PREBRAZED LONG TAIL
	includes	GROMMET COMPR MTG 16.5MM (4)
	includes	POST COMP MOUNTING 16.5MM (4)
	includes	CLIP FOOT COMPRESSOR (4)
7	207427	INVERTER JIAX VNFB16Y 230V
8	855270P	CLIP FOOT COMPRESSOR (PKT 4)
9	849622P	GROMMET 16.5MM KIT 4 PACK
	includes	POST COMP MOUNTING 16.5MM
	includes	GROMMET COMPR MTG 16.5MM
	includes	CLIP FOOT COMPRESSOR
10	NA	REFER TO ITEM #9 - KIT ONLY
11	814843P	FILTER LONG TAIL XH9 12GRM
12	814905	TRAY COMP MOUNTING 790 VCC
13	817829P	SCREW 8X16 SP PAN NIB TV (PKT 10)
14	813271	CLIP INVERTER MOUNTING
15	817828P	SCREW 8-32X8 TY T PAN PH TV (PKT 10)
16	847818P	MOD CNTRL F AS51 120-230V SVC
17	817837	CABLE SUPPLY SING/UK
18	821475	HARNESS VCC INV EXT
19	884243	HARNESS VCC POWER
20	821258	TUBE SUCT CAP ASSY 5/16 ROHS
21	820718	VALVE ICE WATER 16 WATT



# COMPRESSOR AREA COMPONENTS



DWG004820

DWG 004820

## COMPRESSOR AREA COMPONENTS

REFERENCE	PART NUMBER	PART DESCRIPTION
<b>22</b>	<b>848108</b>	<b>KIT INSTALL FILTER WATER GB EU</b>
	includes 821756	VALVE PRESSURE LIMIT 600KPA 85
	includes 837193	CLIP COLLET LOCKING PIC1808R
	includes 847200	REFRIGERATOR WATER FILTER
	includes 847312	HEAD FILTER WATER 90 DEG FS
	includes 847480	BRACKET FILTER WATER ASSY
	includes 847613	ADAPTOR TAP 1/4 OD 3/4 BSP
	includes 847848	TUBE FILTER WATER 1/4" 500MM
	includes 611812P	SCREW ST 10X5/8 MSH PAN PKT 10
	includes 847538	BRACKET WALL PLV
<b>23</b>	<b>847200</b>	<b>REFRIGERATOR WATER FILTER</b>
<b>24</b>	<b>847480</b>	<b>BRACKET FILTER WATER ASSY</b>
<b>25</b>	<b>611812P</b>	<b>SCREW ST 10X5/8 MSH PAN PKT 10</b>
<b>26</b>	<b>847848</b>	<b>TUBE FILTER WATER 1/4" 500MM</b>
<b>27</b>	<b>847613</b>	<b>ADAPTOR TAP 1/4 OD 3/4 BSP</b>
<b>28</b>	<b>837193</b>	<b>CLIP COLLET LOCKING PIC1808R</b>
<b>29</b>	<b>847538</b>	<b>BRACKET WALL PLV</b>
<b>30</b>	<b>821756</b>	<b>VALVE PRESSURE LIMIT 600KPA 85</b>
<b>31</b>	<b>847312</b>	<b>HEAD FILTER WATER 90 DEG FS</b>